


**TECHNICAL FEATURES**

<b>REFERENCE</b>	MC R2 (steel) MC R2 K (nickel plated steel)
<b>DIMENSIONS</b>	ND 6 to 31 mm ; 2 to 8 ports
<b>MATERIAL</b>	MC R2 : steel MC R2 K : nickel plated steel
<b>THREAD</b>	Outlets BSPP thread tapered, right-handed, fl ange installation, all connections on request. BSPP tapping or NPT in central passage (on request)
<b>PRESSURE</b>	Up to 400 bar depending on the model P/V and dimensions
<b>TEMPERATURE</b>	120° C maximum
<b>ROTATION</b>	MC...R2 and MC...R2K slow rotation depending on diameter and pressure
<b>APPLICATION</b>	Cranes, supply to dual purpose cylinder on rotating shaft, pneumatic or hydraulic cylinder control, transfer machines, revolving tables, etc.
<b>OBSERVATIONS</b>	Mounted on ball bearings, identical port diameters (stainless steel on request). Central ports.
<b>CONNECTION</b>	Use fl exible hoses from ND 1/8" to 1" 1/4 BSPP
<b>USE</b>	Oil, air, water(K), gas, etc.

**Designation for order**

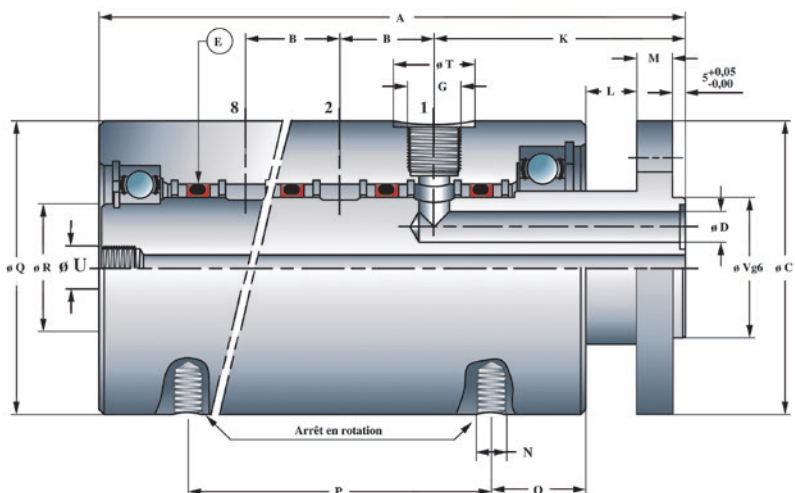
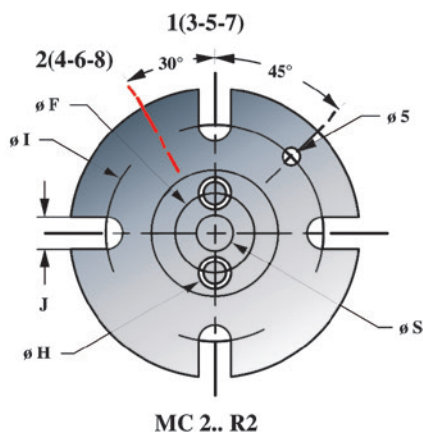
Ref.	MC	2	06	R2 R2 K
Multi circuits				
2 circuits				
Ø D = 6 mm				
K = nickel plated steel				

Ref.	A	B	Ø C	Ø D	Ø V g6	Ø F	G gaz B.S.P.	Ø H	Ref. GR E	Ref. Oring	Ø I	J	K
MC206R2K	149,5	26,5	80	6	35	22	1/8"	9	GR 35V	Ø 6 x Ø 1,5	60	9	77,5
MC306R2K	176	26,5	80	6	35	22	1/8"	9	GR 35V	Ø 6 x Ø 1,5	60	9	77,5
MC406R2K	202,5	26,5	80	6	35	22	1/8"	9	GR 35V	Ø 6 x Ø 1,5	60	9	77,5
MC506R2K	229	26,5	80	6	35	22	1/8"	9	GR 35V	Ø 6 x Ø 1,5	60	9	77,5
MC606R2K	255,5	26,5	80	6	35	22	1/8"	9	GR 35V	Ø 6 x Ø 1,5	60	9	77,5
MC706R2K	313	29	100	6	40	27	1/8"	9	GR 40V	Ø 6 x Ø 1,5	72	11	89
MC806R2K	342	29	100	6	40	27	1/8"	9	GR 40V	Ø 6 x Ø 1,5	72	11	89
MC208R2K	172	31	100	8	40	24	1/4"	12	GR 40V	R6A	72	11	90
MC308R2K	203	31	100	8	40	24	1/4"	12	GR 40V	R6A	72	11	90
MC408R2K	234	31	100	8	40	24	1/4"	12	GR 40V	R6A	72	11	90
MC508R2K	265	31	100	8	40	26	1/4"	12	GR 40V	R6A	72	11	90
MC608R2K	317	33	115	8	55	37,5	1/4"	12	GR 55V	R6A	86	11	96,5
MC708R2K	350	33	115	8	55	37,5	1/4"	12	GR 55V	R6A	86	11	96,5
MC808R2K	383	33	115	8	55	37,5	1/4"	12	GR 55V	R6A	86	11	96,5
MC210R2K	176	33	100	10	40	24	3/8"	12,5	GR 40V	Ø10 x Ø1,3	72	11	91
MC310R2K	209	33	100	10	40	24	3/8"	12,5	GR 40V	Ø10 x Ø1,3	72	11	91
MC410R2K	242	33	100	10	40	24	3/8"	12,5	GR 40V	Ø10 x Ø1,3	72	11	91
MC510R2K	294	35	115	10	55	34	3/8"	12,5	GR 55V	Ø10 x Ø1,3	86	11	97,5
MC610R2K	329	35	115	10	55	34	3/8"	12,5	GR 55V	Ø10 x Ø1,3	86	11	97,5
MC710R2K	364	35	115	10	55	34	3/8"	12,5	GR 55V	Ø10 x Ø1,3	86	11	97,5
MC810R2/K	413	35	140	10	70	47	3/8"	12,5	GR 70V	Ø10 x Ø1,3	108	13	108,5
MC212R2K	193	37	115	12	55	32	1/2"	17,5	GR 55V	R10	86	11	98,5
MC312R2K	230	37	115	12	55	32	1/2"	17,5	GR 55V	R10	86	11	98,5
MC412R2K	267	37	115	12	55	32	1/2"	17,5	GR 55V	R10	86	11	98,5
MC512R2/K	318	37	140	12	70	42	1/2"	17,5	GR 70V	R10	108	13	109,5
MC612R2/K	386	39	170	12	90	54	1/2"	17,5	GR 90V	R10	132	17	122
MC712R2/K	425	39	170	12	90	54	1/2"	17,5	GR 90V	R10	132	17	122
MC812R2/K	464	39	170	12	90	54	1/2"	17,5	GR 90V	R10	132	17	122
MC218R2/K	220	43	140	18	70	38	3/4"	24	GR 70V	R14	108	13	112,5
MC318R2/K	262	43	140	18	70	38	3/4"	24	GR 70V	R14	108	13	112,5
MC418R2/K	306	43	140	18	70	38	3/4"	24	GR 70V	R14	108	13	112,5
MC518R2/K	377	45	170	18	90	56	3/4"	24	GR 90V	R14	132	17	125
MC225R2/K	256	52	170	25	90	50	1"	32	GR 90V	R19	132	17	128,5
MC325R2/K	308	52	170	25	90	50	1"	32	GR 90V	R19	132	17	128,5
MC425R2/K	360	52	170	25	90	50	1"	32	GR 90V	R19	132	17	128,5
MC525R2/K	440	55	190	25	105	69	1"	32	GR 105V	R19	150	17	137,5
MC231R2/K	287	61	190	31	105	57	1" 1/4	36,5	GR 105V	R22	150	17	140,5
MC331R2/K	348	61	190	31	105	57	1" 1/4	36,5	GR 105V	R22	150	17	140,5
MC431R2/K	409	61	190	31	105	57	1" 1/4	36,5	GR 105V	R22	150	17	140,5
MC531R2/K	530	67	230	31	140	87	1" 1/4	36,5	GR 140V	R22	184	17	159,5

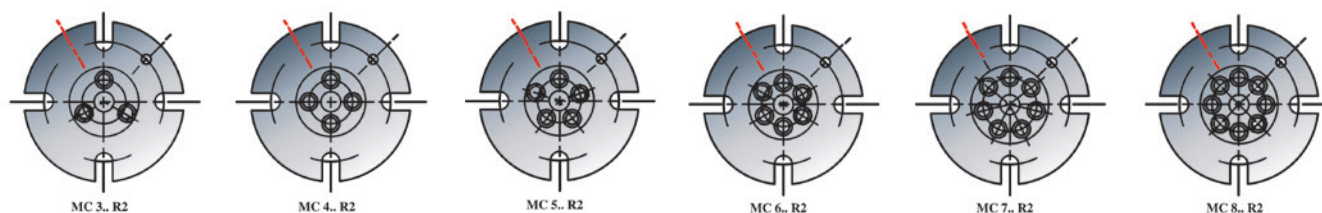
- Nickel plated steel models only

Customized models on request. Please contact us for slip ring assembly

# Rotary Unions MCR2 series



- The flange o-rings are supplied with each multiple circuits
- The number of rotary seals is equal to the number of ports + 1



Ref	L	M	N	O	P	Ø Q	Ø R	Ø S	Ø T	Ø U
MC206R2K	15	10	M8	32	57,5	80	30	10	18	3/8"
MC306R2K	15	10	M8	32	84	80	30	10	18	3/8"
MC406R2K	15	10	M8	32	110,5	80	30	10	18	3/8"
MC506R2K	15	10	M8	32	137	80	30	10	18	3/8"
MC606R2K	15	10	M8	32	163,5	80	30	10	18	3/8"
MC706R2K	20	12	M8	32	214	90	35	12	18	1/2"
MC806R2K	20	12	M8	32	243	90	35	12	18	1/2"
MC208R2K	20	12	M10	32	73	90	35	8	22	1/4"
MC308R2K	20	12	M10	32	104	90	35	8	22	1/4"
MC408R2K	20	12	M10	32	135	90	35	8	22	1/4"
MC508R2K	20	12	M10	32	166	90	35	10	22	3/8"
MC608R2K	20	14	M10	37	206	115	50	12	22	1/2"
MC708R2K	20	14	M10	37	239	115	50	12	22	1/2"
MC808R2K	20	14	M10	37	272	115	50	12	22	1/2"
MC210R2K	20	12	M10	32	77	90	35	8	25	1/4"
MC310R2K	20	12	M10	32	110	90	35	8	25	1/4"
MC410R2K	20	12	M10	32	143	90	35	8	25	1/4"
MC510R2K	20	14	M10	37	183	115	50	12	25	1/2"
MC610R2K	20	14	M10	37	218	115	50	12	25	1/2"
MC710R2K	20	14	M10	37	253	115	50	12	25	1/2"
MC810R2/K	25	15	M12	40	290	135	65	18	25	3/4"
MC212R2K	20	14	M12	37	82	115	50	10	32	3/8"
MC312R2K	20	14	M12	37	119	115	50	10	32	3/8"
MC412R2K	20	14	M12	37	156	115	50	10	32	3/8"
MC512R2/K	25	15	M12	40	196	135	65	12	32	1/2"
MC612R2/K	30	16	M12	45	247	160	85	18	32	3/4"
MC712R2/K	30	16	M12	45	286	160	85	18	32	3/4"
MC812R2/K	30	16	M12	45	325	160	85	18	32	3/4"
MC218R2/K	25	15	M12	40	98	135	65	10	37	3/8"
MC318R2/K	25	15	M12	40	141	135	65	10	37	3/8"
MC418R2/K	25	15	M12	40	184	135	65	10	37	3/8"
MC518R2/K	30	16	M12	45	238	160	85	18	37	3/4"
MC225R2/K	30	16	M14	45	117	160	85	12	43	1/2"
MC325R2/K	30	16	M14	45	169	160	85	12	43	1/2"
MC425R2/K	30	16	M14	45	221	160	85	12	43	1/2"
MC525R2/K	30	16	M14	52	289	190	100	18	43	3/4"
MC231R2/K	30	16	M14	52	136	190	100	12	55	1/2"
MC331R2/K	30	16	M14	52	197	190	100	12	55	1/2"
MC431R2/K	30	16	M14	52	258	190	100	12	55	1/2"
MC531R2/K	30	16	M20	62	353	230	130	18	55	3/4"

- Nickel plated steel models only

Customized models on request. Please contact us for slip ring assembly